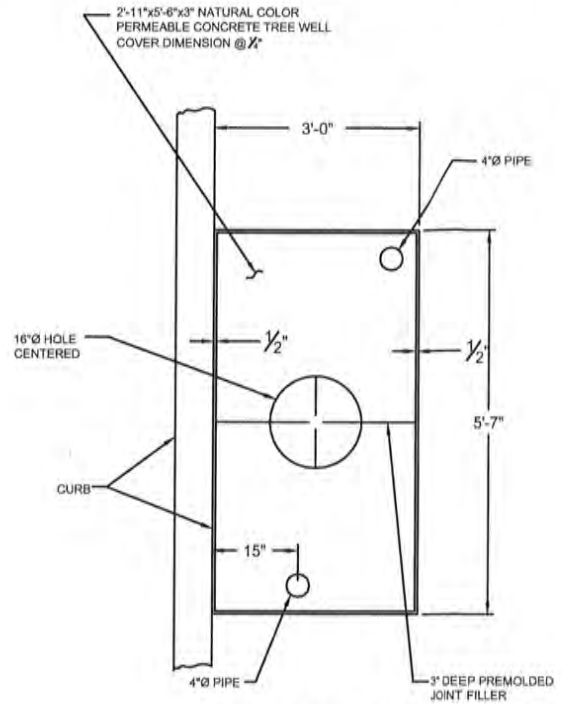


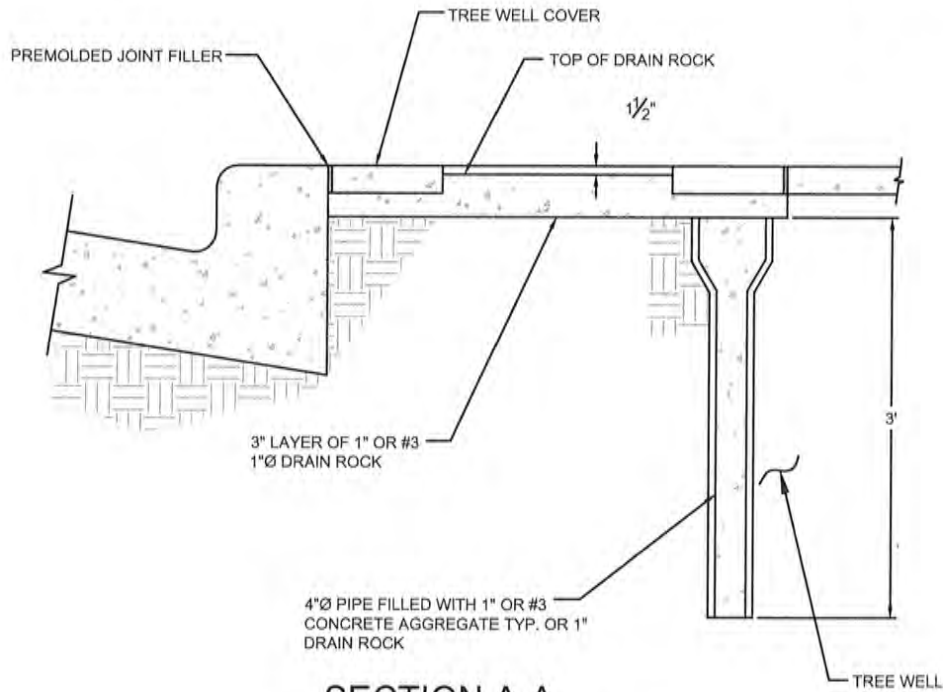
CASE 1 - PLAN

50"x50"



CASE 2 - PLAN

36"x67"



SECTION A-A

NOTES:

- SEE SHEET 3 FOR NOTES PERTAINING TO THIS SHEET.

TITLE: LANDSCAPING TREE WELL - CASE 1 & 2 - CONCRETE

DRAWN BY: STAFF	SCALE: NONE
REVIEWED BY: DANNY HILLSTOCK	REVISED: OCTOBER, 2019

APPROVED:
Danny Hillstock
CITY ENGINEER: DANNY HILLSTOCK ID. NO. 70647
DATE: 11-5-19

STANDARD PLAN

H-2-2

CITY OF HOLLISTER
ENGINEERING DEPARTMENT