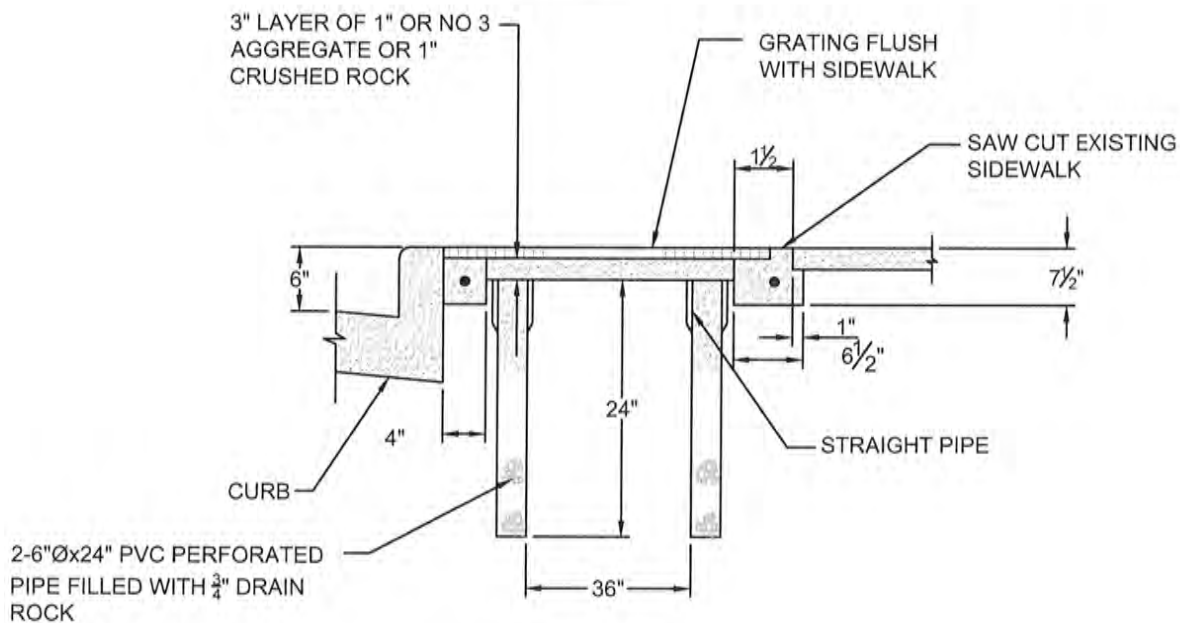


GRATE PLAN

SCALE: NONE



SECTION A-A

SCALE: NONE

NOTES:

1. GRATE MATERIAL TO BE CAST IRON, NEENAH FOUNDRY CO. R-8706-1A 1800 SQUARE.
2. GRADE PATTERN AS SPECIFIED ON PROJECT PLANS AND OR IN SPECIFICATIONS.
3. EXISTING SIDEWALK SHALL BE CAREFULLY SAWCUT PREPARATORY TO LAYING OF FRAME. SAWCUT OVER-RUNS SHALL BE CLEANED AND FILLED WITH EPOXY APPROVED BY THE CITY ENGINEER AND FINISHED TO SIDEWALK GRADE.

TITLE:

LANDSCAPING TREE WELL - CAST IRON

DRAWN BY:
STAFF

REVIEWED BY:
DANNY HILLSTOCK

SCALE:
NONE

REVISED:
OCTOBER, 2019

APPROVED:

Danny Hillstock 11-5-19

CITY ENGINEER: DANNY HILLSTOCK LIC. NO. 70647 DATE

STANDARD PLAN

H-2-1

CITY OF HOLLISTER
ENGINEERING DEPARTMENT