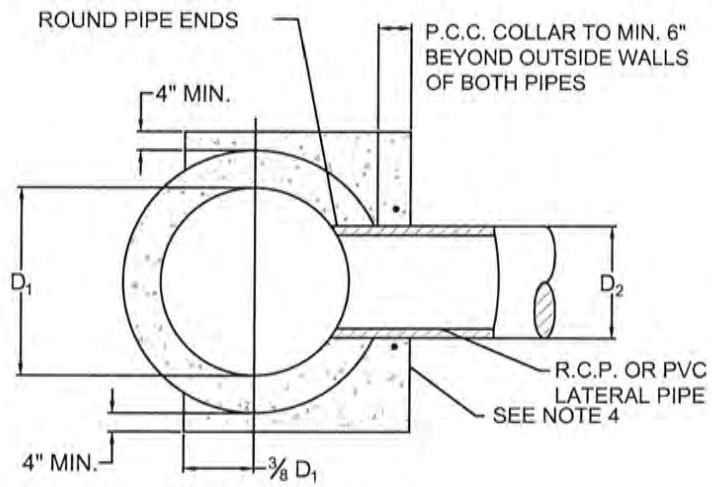


DETAIL "A"
(30" AND LARGER MAIN)



DETAIL "A"
(24" AND 27" MAIN)

NOTES:

1. ALL STORM DRAIN LATERALS SHALL BE HDPE, PVC SDR 26 OR MIN. CLASS III R.C.P.
2. DETAIL SHALL ONLY BE ALLOWED WHEN LATERAL PIPE DIAMETER IS LESS THAN 1/2 THE MAIN DIAMETER.
3. CONCRETE SLURRY BACKFILL SHALL BE CLASS 100-E-100 PCC.
4. CONCRETE COLLAR SHALL BE CLASS 470-C-2000 PCC.
5. NO EDGES OF THE PIPE SHALL PROJECT BEYOND THE INSIDE PIPE FACE.
6. LATERAL CONNECTION MAY BE ALLOWED WITH THE APPROVAL OF THE CITY ENGINEER.

TITLE: LATERAL CONNECTION TO STORM MAIN PIPE			
DRAWN BY: STAFF	SCALE: NONE	APPROVED:	STANDARD PLAN
REVIEWED BY: DANNY HILLSTOCK	REVISED: OCTOBER, 2019	 <small>CITY ENGINEER: DANNY HILLSTOCK LIC. NO. 70647</small>	<h1 style="margin: 0;">D-4</h1>
CITY OF HOLLISTER ENGINEERING DEPARTMENT			