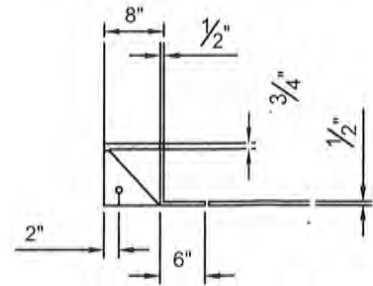
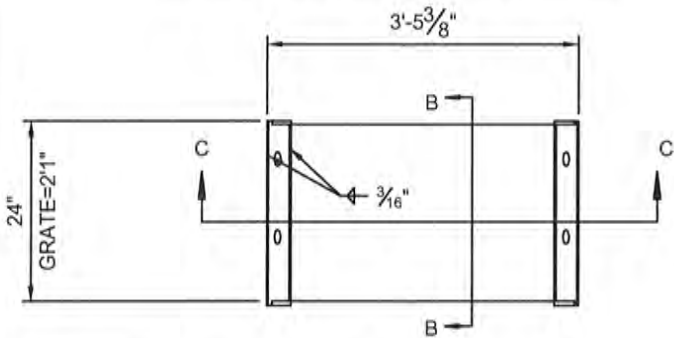


**CAST IRON HOOD PLAN VIEW**

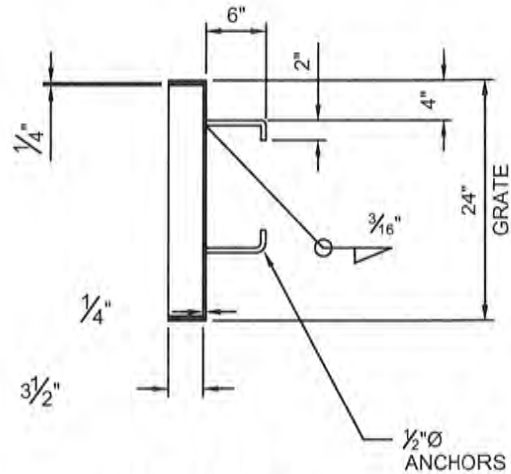
1/2" Ø SMOOTH GALVANIZED TRASH BAR



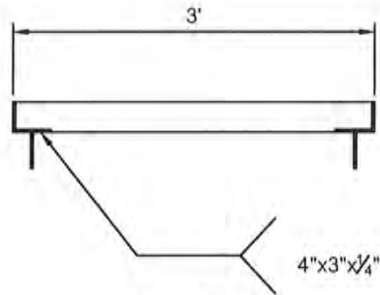
**SECTION A-A**



**WELDED STEEL FRAME**



**SECTION B-B**



**SECTION C-C**

**NOTES:**

1. HOOD SHALL BE CAST IRON AND SHALL RECEIVE AN ASPHALTIC COATING AFTER FABRICATION.
2. FRAME AND GRATES TO BE HOT DIP GALVANIZED AFTER FABRICATION.
3. HOOD SHALL BE PHOENIX IRON WORKS OR APPROVED EQUAL: P-6002 CAST IRON FRAME GRATE & HOOD
4. FRAME AND P-6002 CAST IRON HOOD (HOOD ONLY) GRATE TO CONFORM WITH TYPE 18-83 AND 24 IOS GRATE PER CALTRANS STANDARD PLAN RSP D77B " BICYCLE TRAVERSABLE GRATE" DIMENSIONS WITH RECTANGULAR FRAME PER CALTRANS STANDARD DETAIL D77A. P-6302 24"x36" GALVANIZED STEEL DRAINAGE INLET FRAME AND GRATE
5. SPECIFIED MATERIALS MAY BE SUBSTITUTED WHEN APPROVED BY CITY ENGINEER.

<b>TITLE: INLET HOOD, FRAME AND GRATES</b>			
DRAWN BY: STAFF	SCALE: NONE	APPROVED:	STANDARD PLAN
REVIEWED BY: DANNY HILLSTOCK	REVISED: OCTOBER, 2019		<b>D-3-3</b>
CITY OF HOLLISTER ENGINEERING DEPARTMENT		CITY ENGINEER: DANNY HILLSTOCK, LIC. NO. 70647 DATE: 11-5-19	SHEET 3 OF 4