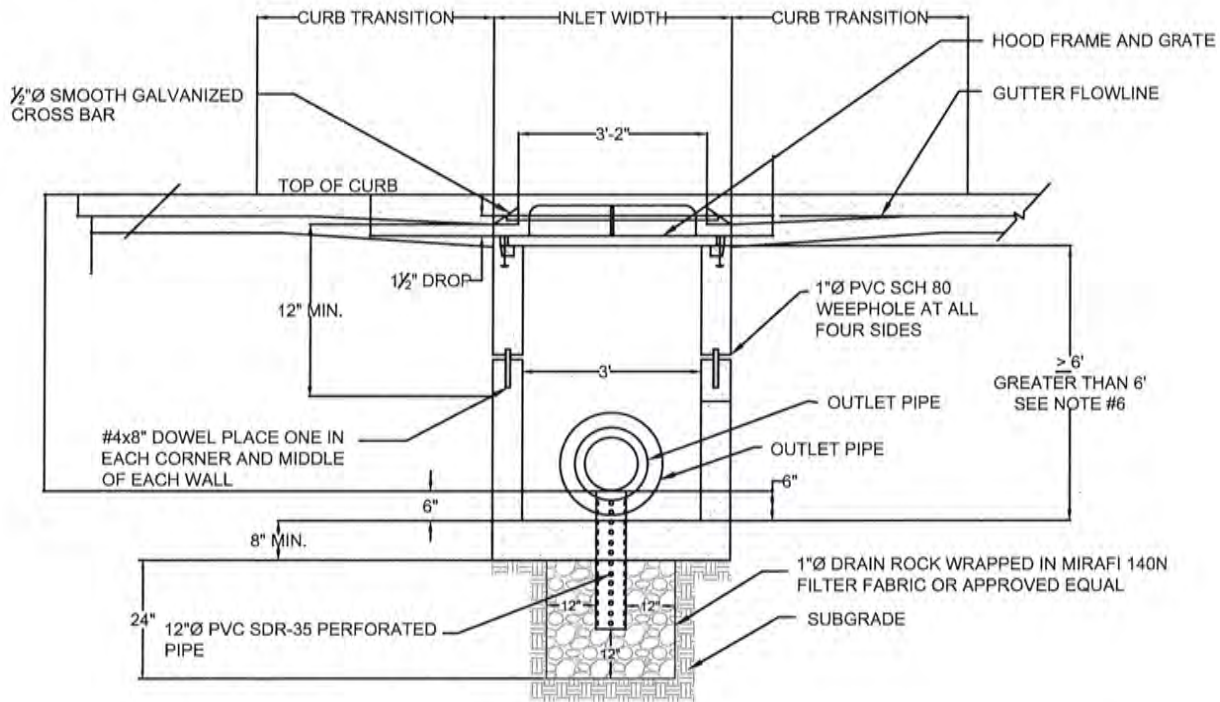


SECTION A-A



SECTION B-B

TITLE: CAST-IN-PLACE CURB INLET-SECTIONS			
DRAWN BY: STAFF	SCALE: NONE	APPROVED:	STANDARD PLAN
REVIEWED BY: DANNY HILLSTOCK	REVISED: OCTOBER, 2019	<i>Danny Hillstock</i>	D-3-2
CITY OF HOLLISTER ENGINEERING DEPARTMENT		CITY ENGINEER: DANNY HILLSTOCK LIC. NO. 70647	
			SHEET 2 OF 4