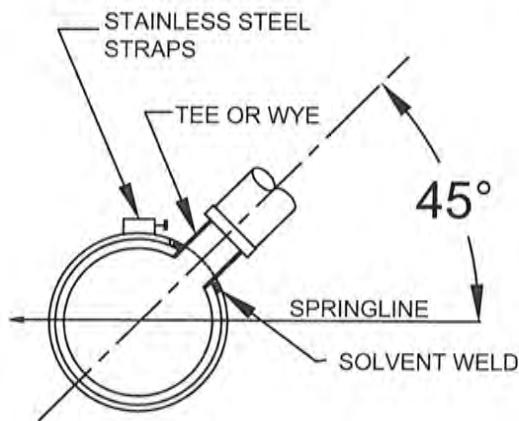
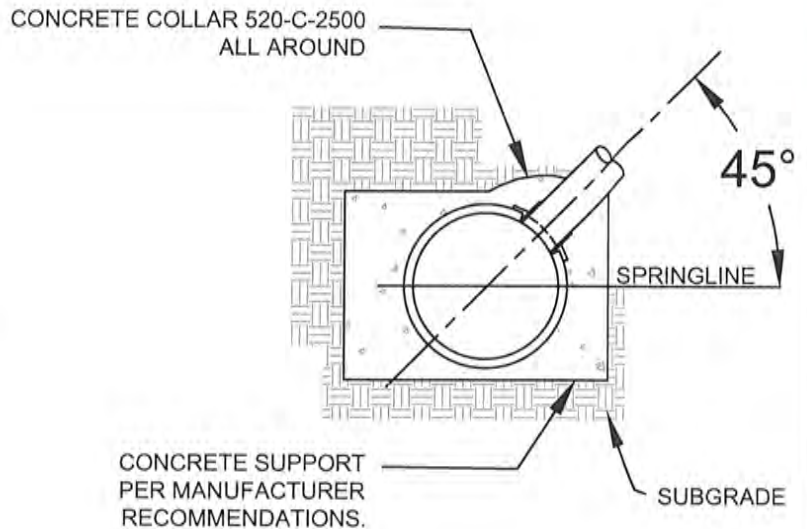


**SYNTHETIC RUBBER WEDGED INSERT TEE TAP TITE (VCP)**  
 (MIN. DIFFERENTIAL OF TWO SIZES REQUIRED)



**TEE OR WYE (PVC OR ABS)**  
 (SOLVENT WELDED FITTINGS)



**SEWER MAIN TAP**

<b>TITLE: SEWER LATERAL TAPPING TO EXISTING VCP SEWER MAINS</b>			
DRAWN BY: STAFF	SCALE: NONE	APPROVED:	
REVIEWED BY: DANNY HILLSTOCK	REVISED: OCTOBER, 2019		
<b>CITY OF HOLLISTER ENGINEERING DEPARTMENT</b>		CITY ENGINEER: DANNY HILLSTOCK LIC. NO. 70647 DATE: 11-5-19	<b>STANDARD PLAN</b>  <b>C-3</b>  SHEET 1 OF 1