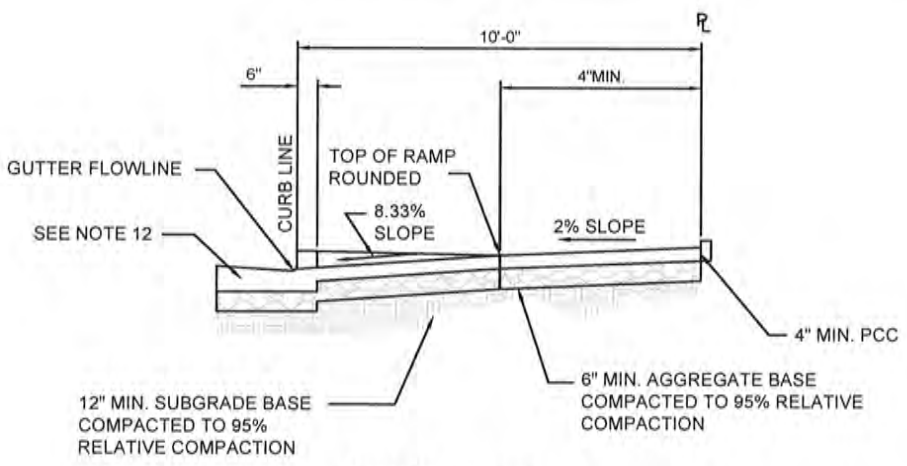
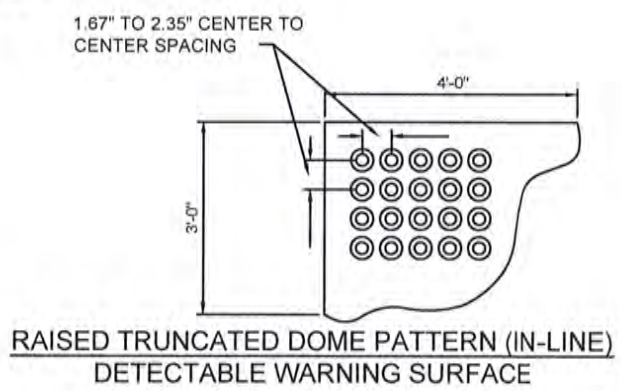


**SIDEWALK TRANSITION**



**SECTION A-A**



**NOTE:**

1. EXPANSION JOINT SHALL HAVE #4 X 16" SLIP DOWEL AT 12" OC WITH MINIMUM 3" CLEARANCE FROM EACH EDGE, MINIMUM DOWEL HOLE DEPTH OF 3 INCHES AT FIXED END WHEN EMBEDDED WITH SIMPSON SET XP EPOXY OR EQUIVALENT.

<b>TITLE: CURB RETURNS DETAILS AND SIDEWALK TRANSITION</b>			
DRAWN BY: STAFF	SCALE: NONE	APPROVED:	STANDARD PLAN
REVIEWED BY: DANNY HILLSTOCK	REVISED: OCTOBER, 2019	<i>Danny Hillstock</i>	<b>A-9-2</b>
CITY OF HOLLISTER ENGINEERING DEPARTMENT		CITY ENGINEER: DANNY HILLSTOCK, LIC. NO. 70647	DATE 11-5-19
			SHEET 2 OF 2